

Kompact

analogue solenoid dosing pumps

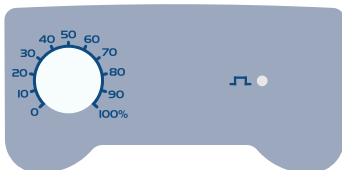


innovation > technology > future

Features **Kompact**

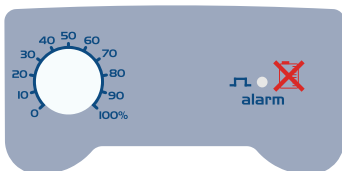


kompact is a simple yet reliable series of micro-processor based analogue solenoid dosing pumps.



AMS [constant dosage]

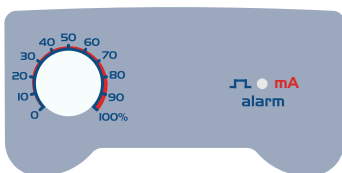
Constant flow rate manually adjustable by control dial on the front panel, Power-ON led indicator.



AML [constant dosage]

Constant flow rate manually adjustable by control dial on the front panel, two flow rate range:

- 0÷20% with switch in P position,
 - 0÷100% with switch in C position,
- Power-ON led indicator and level control input.

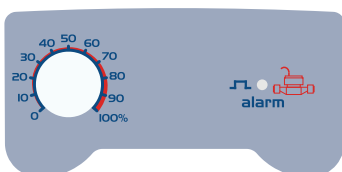


AMM [proportional dosage]

Constant flow rate manually adjustable, proportional flow rate according to an external analogue signal (4÷20 mA), Power-ON led indicator and level control input.

The two different modes are:

- **Constant** (switch in C position)
The pump constantly doses the rate selected with the potentiometer.
- **Proportional** (switch in P position)
The pump doses proportionally to the analogue input signal (4÷20 mA).



AMC [proportional dosage]

Constant flow rate manually adjustable, proportional flow rate according to a digital input signal (from water meter), Power-ON led indicator and level control input.

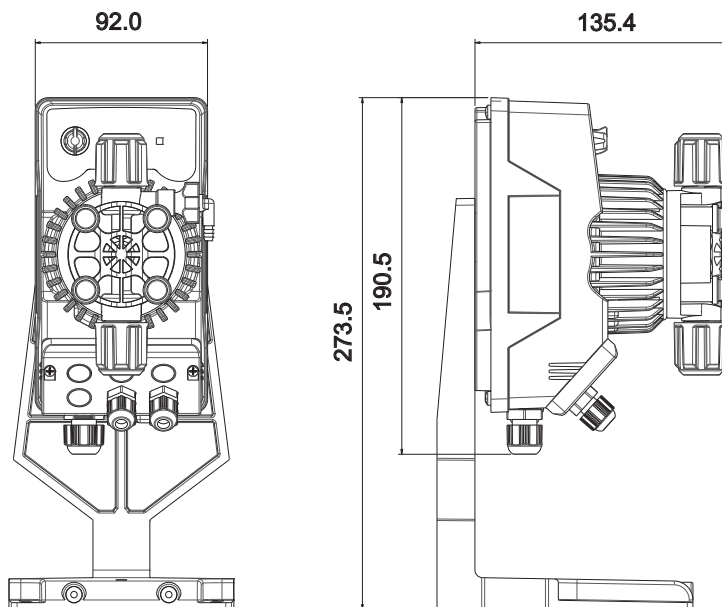
The two different modes are:

- **Constant** (switch in C position)
The pump constantly doses the rate selected with the potentiometer.
- **Proportional** (switch in P position)
The pump doses proportionally to the digital input signal (Division mode 4 : 1). Maximum input frequency: 80Hz.

Features

Enclosure	Materials:	PP
	Protection degree:	IP65
Pump Head materials	Pump Body:	PVC [with manual priming valve]
	Valves:	PVC
	Balls:	Ceramic
	Diaphragm:	PTFE [the diaphragm has been tested over a period of 5 years]
Power Supply	AMS Model:	230 Vac 50 Hz Consumption 12 W
	AML / AMM / AMC Models :	100÷240 Vac 50/60 Hz [with reduced power consumption as the solenoid only draws the required power to activate the pump, based on the working conditions] Consumption 14 W
Flow rate manual adjustment		from 0 (operation stop) to 100% of max. flow rate
Wall mounting		With fixing bracket

Dimensional Drawings



Installation kit in PP



Operation state LED

- Steady green LED switches off with every stroke that the pump runs.
- Flashing Green led with the potentiometer to 0.
- Steady red LED switches on with alarm.

In proportional mode

- Steady orange LED switches off with every stroke that the pump runs.
- Flashing orange LED with the potentiometer at 0.

Specifications

Type	200	
Pressure [bar]	8	10
Flow rate [l/h]	5	3
cc/stroke	0.52	0.31
Connections [mm]	4 / 6	
Stroke/min	160	

Pump Head materials

Type	P	
Body Pump	PVC	
Balls	Ceramic	
Seat valve	FPM	EPDM
Diaphragm	PTFE	

A Worldwide Group at your service



For more information
www.seko.com

BRAZIL

● Seko do Brasil Comercio de Sistemas de Dosagem Limitada

03170-050 São Paulo (SP)
Phone: +55 11 2606 9878
Fax: +55 11 2606 9878
sekobrasil@sekobrasil.com.br
www.sekobrasil.com.br

CHINA

● Seko China Ltd

072750 Hebei
Phone: +86 312 552 0904
Fax: +86 312 552 0901
china@seko.com
www.sekochina.com

DENMARK

● Seko Denmark

DK-4930 Maribo
Phone: +45 5475 7545
Fax: +45 5474 7545
info@seko.com

FRANCE

● Seko Lefranc-Bosi S.A.

77435 - Marne La Vallée Cedex 2
Phone: +33 1 6005 9060
Fax: +33 1 6480 4104
lefrancbosi@lefrancbosi.com
service.commercial@seko.fr
www.lefrancbosi.com

GERMANY

● Seko Deutschland GmbH

55252 Mainz - Kastel
Phone: +49 6134 2858 10
Fax: +49 6134 2858 29
info@seko-messtechnik.de
www.seko-germany.com

ITALY

● Seko Spa

Via Salaria Km. 92,200
02010 S.Rufina - Rieti
Phone: +39 0746 605801
Fax: +39 0746 607072
sales@seko.com

● Seko Spa

[Process & Sytems]
Via Di Vittorio, 25 - 20068
Peschiera Borromeo - Milano
Phone: +39 02 97372411
Fax: +39 02 55301744
info.psd@seko.com
info@seko.com

ROMANIA

● Seko Sieta S.r.l.

400393 Cluj-Napoca
Phone: +40 264 415 251
Fax: +40 264 415 622
info.dpro@seko.com

RUSSIA

● OOO Seko

129347 - Moscow
Phone: +74 99 182 52 36
Fax: +74 99 182 52 36
sekorussia@seko.com
www.sekorussia.ru

SINGAPORE

● Seko Dosing Systems

Asia Pacific Pte Ltd
608838 Singapore
Phone: +65 6515 6996
Fax: +65 6515 5079
asiapacific@seko.com

SOUTH AFRICA

● Seko Southern Africa (PTY) Ltd

Kyasand - Johannesburg - Gauteng
Phone: +27 11 704 6589
Fax: +27 11 704 6588
sales@sekosa.co.za

SPAIN

● Seko Ibérica Sistemas de Dosificación S.A.

08960 San Just Desvern - Barcelona
Phone: +34 93 4802 570
Fax: +34 93 4802 571
sekoiberica@sekoiberica.com

SWEDEN

● Seko Sweden

26123 Landskrona
Phone: +46 418 448 482
Fax: +46 418 448 483
info@seko.com

TURKEY

● Seko Endüstriyel Pompalar ve Proses Sistemleri San. ve Tic. Ltd. Şti.

Kartal Istanbul
Phone: +90 216 353 2542
Fax: +90 216 353 1450
info@seko.com.tr

UNITED KINGDOM

● Seko UK - Chemical Controls Ltd

Harlow, Essex - CM19 5JH
Phone: +44 1279 423550
Fax: +44 1279 423993
seko.uk@seko.com
www.sekouk.com

USA

● Seko Dosing Systems Corporation USA

Tullytown - PA 19007 (USA)
Phone: +1 215 945 01 25
Fax: +1 215 945 09 37
sales@sekousa.com
www.sekousa.com

